

PUB No. Title  
AI AII21013 2000 PRELUDE LEATHER SHIFT KNOB

Issued  
09/10/1999

[www.HandA-Accessories.com](http://www.HandA-Accessories.com)

 <b>HONDA</b> <b>INSTALLATION</b> <b>INSTRUCTIONS</b>	Accessory <b>LEATHER SHIFT KNOB</b>	Application <b>2000 PRELUDE</b>	Publications No. <b>All 21013</b>
			Issue Date <b>SEP 1999</b>

**PARTS LIST**

**Leather Shift Knob, A/T:**  
Black stitch P/N 08U92-S30-100J  
Red stitch P/N 08U92-S30-100F

Leather shift knob

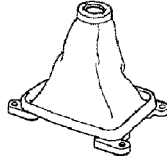


**Leather Shift Knob, M/T:**  
Black stitch P/N 08U92-S30-100H  
Red stitch P/N 08U92-S30-100

Leather shift knob



~~XXXXX~~ Leather shift boot



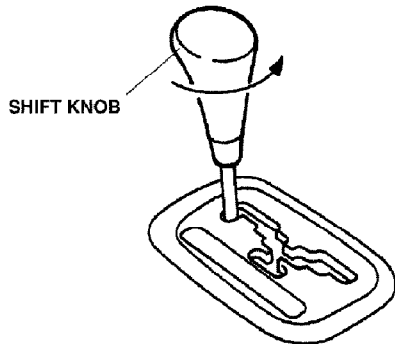
**TOOLS REQUIRED**

Phillips screwdriver  
Stubby Phillips screwdriver

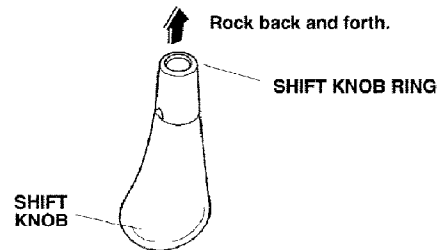
**INSTALLATION**

**Installing the A/T Shift Knob**

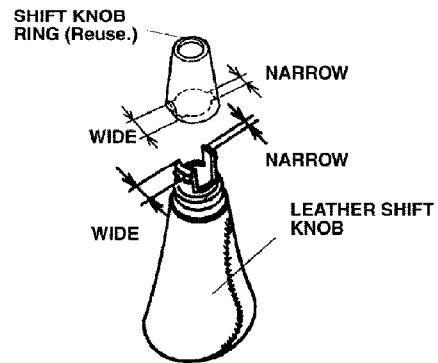
1. Remove the shift knob from the select lever by turning the knob counterclockwise.



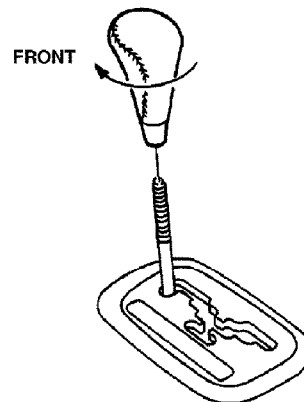
2. Remove the shift knob ring from the shift knob by pulling it up and rocking it back and forth.



3. Slide the shift knob ring onto the new leather shift knob by aligning the ring and the knob.

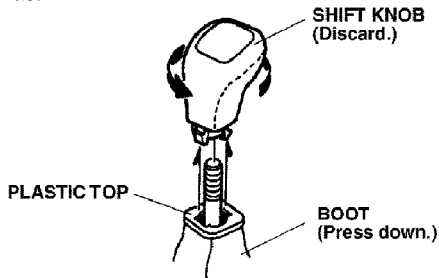


4. Thread the new leather shift knob onto the shift lever until it is tight. Turn the knob clockwise until the shift pattern on top is in the proper direction.

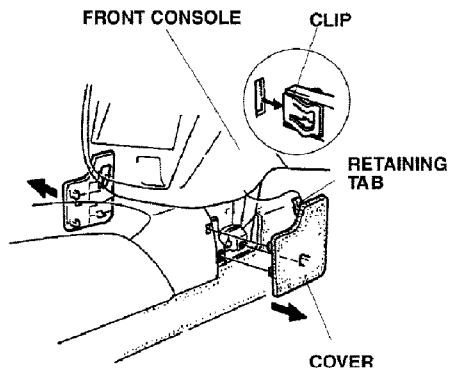


## Installing the M/T Shift Knob

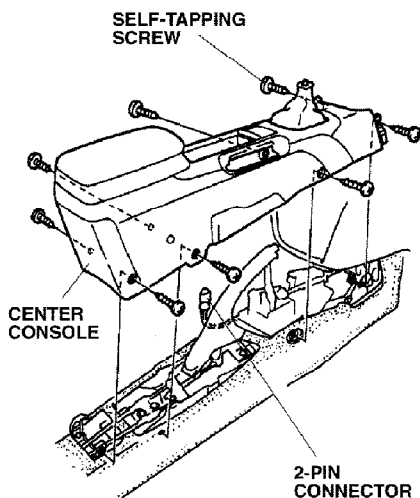
1. Separate the boot from the knob by pressing down firmly on the plastic top of the boot with both hands.



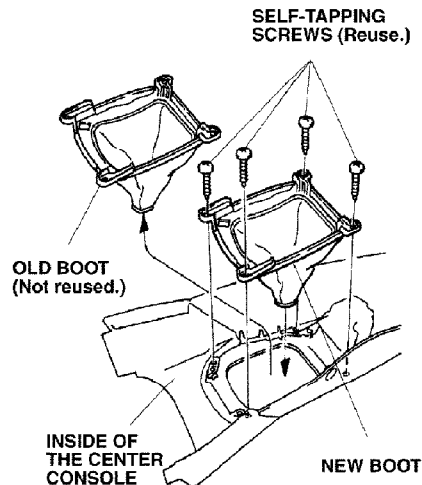
2. Remove the shift knob by turning it counterclockwise.
3. Remove the cover from the bottom of the front console by releasing the three clips and a retaining tab. Repeat on the other side.



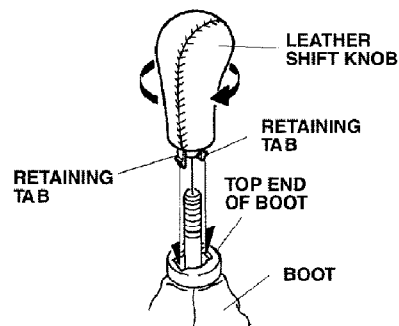
4. Remove the eight self-tapping screws, unplug the 2-pin connector, and remove the center console.



5. Turn over the center console, and remove the four self-tapping screws fastening the boot. Install the boot from the kit. Note the installation direction.



6. Reinstall the center console in the reverse order of removal.
7. Thread the new leather shift knob onto the shift lever until it is tight. Turn the knob clockwise until the shift pattern on top is in the proper direction. Pull the boot up until the retaining tabs at the bottom of the knob "click" into position in the slots at the end of the boot.



## CLEANING THE SHIFT KNOB AND BOOT

- Do not use organic solvents such as benzene, gasoline, etc. to clean the leather shift knob and boot.
- Clean with a mild soap and water solution using a soft cloth. Rinse the towel well with clean water, and wipe the soap from the shift knob and boot.
- After cleaning, allow to dry in the shade.