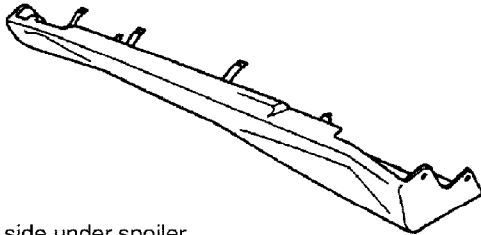


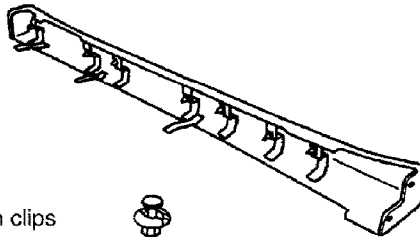
 HONDA INSTALLATION INSTRUCTIONS	Accessory	Application	Publications No.
	SIDE UNDER SPOILER	2000 PRELUDE	All 21020
			Issue Date
			SEP 1999

PARTS LIST

Left side under spoiler



Right side under spoiler



6 Expansion clips

TOOLS AND SUPPLIES REQUIRED

Phillips screwdriver

Piece of cardboard

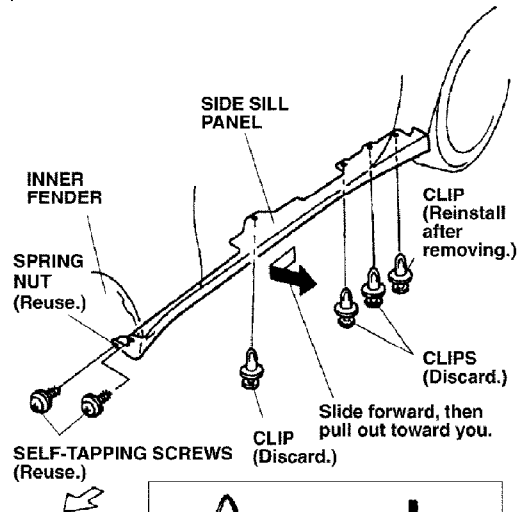
INSTALLATION

NOTE:

- These instructions show the left side under spoiler being installed. The same procedure applies to installing the right side under spoiler.
- Be careful not to damage the body finish when installing the side under spoilers.

1. Make sure that the area to be covered is clean and has been waxed with a high-quality paste wax.
2. Remove the under spoilers from the carton, and place them on a piece of cardboard.

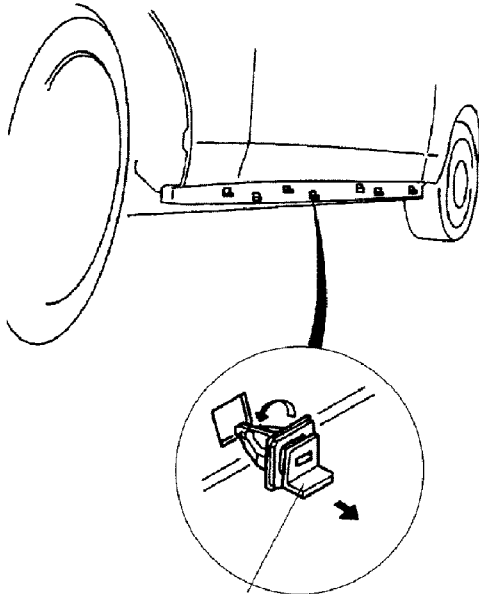
3. Remove the two self-tapping screws securing the inner fender to the front fender. Remove the four expansion clips from the underside of the side sill panel.



How to Remove the Clip

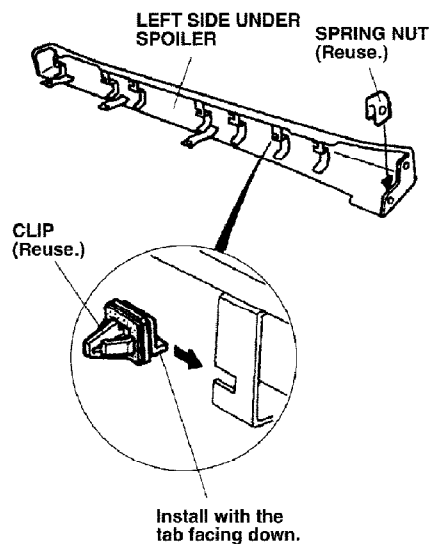
4. Remove the side sill panel by sliding the panel toward the front, then pulling it out toward you. After removing, reinstall only the rear expansion clip.
5. Remove and retain the spring nut from the front of the side sill panel.

6. Remove the seven clips from the body flange. Turn the clips 45° to remove.

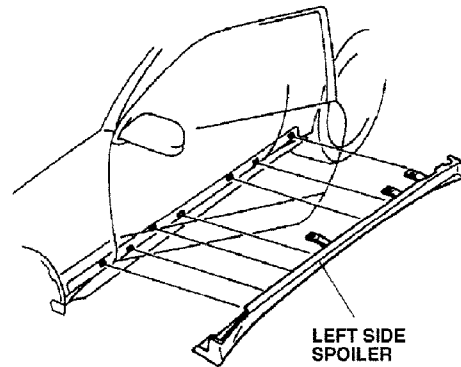


CLIP (Turn 45° to remove.)

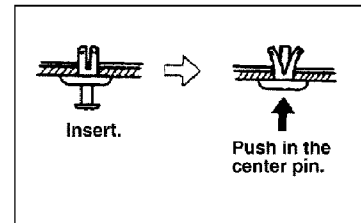
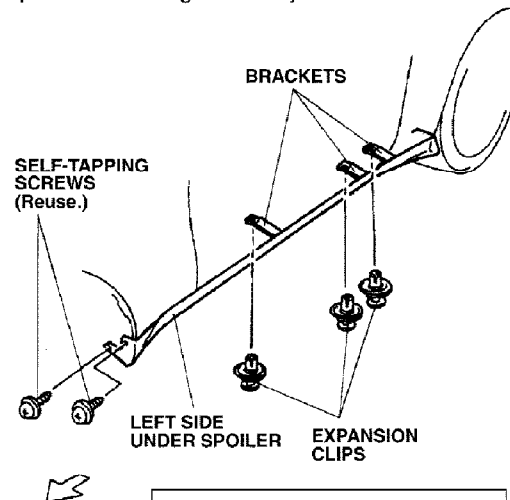
7. Slide the seven clips you removed onto the brackets on the inside of the left side under spoiler, and slide the spring nut onto the front of the left side under spoiler.



8. Open the door, and install the left side under spoiler by pushing the seven clips into the square holes in the body flange.



9. Further secure the left side under spoiler to the body flange by inserting the expansion clips into the holes in the three brackets on the under spoiler and through the body.



How to Install the Clip

10. Secure the spoiler to the left inner fender using the two self-tapping screws removed in step 3.
11. Repeat steps 3 through 10 to install the right side under spoiler.